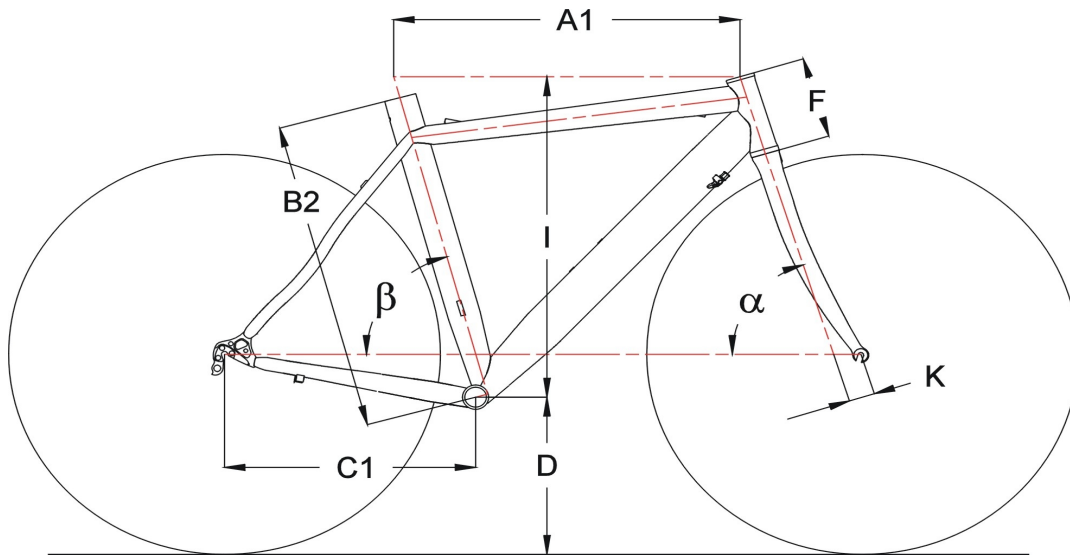


# Cyborg R14

## Standard geometries

FRAME SIZE VR		Typical Rider Height	Effective Top Tube Length	Seat Tube Length to Top	Effective Chainstay length	Bottom Bracket Height	Head Tube Length	Maximum high	Fork rake	Head Tube Angle	Seat Tube Angle
cm	inch	V-cm	A1-mm	B2-mm	C1-mm	D-mm	F-mm	I-mm	K-mm	a - °	b - °
52	20,5	166-167	539	450	399	268	115	517	43	72,5	73
54	21,3	171-172	549	480	399	268	135	537	43	73	73
56	22,0	176-177	560	500	399	270	155	555	43	73	72,5
58	22,8	181-182	571	530	399	270	175	574	43	73	72,5
60	23,6	186-187	583	550	399	270	195	595	43	73,5	72
62	24,4	191-192	595	570	399	270	215	614	43	73,5	72

Geometre je platná pro rok 2008. Výrobce si vyhrazuje právo změny.



## Customer's geometry

FRAME SIZE VR		Typical Rider Height	Effective Top Tube Length	Seat Tube Length to Top	Effective Chainstay length	Bottom Bracket Height	Head Tube Length	Maximum high	Fork rake	Head Tube Angle	Seat Tube Angle
cm	inch	V-cm	A1-mm	B2-mm	C1-mm	D-mm	F-mm	I-mm	K-mm	a - °	b - °